

Two Line V-Network

GLN-5040A

USER MANUAL

GW INSTEK PART NO.



ISO-9001 CERTIFIED MANUFACTURER

GW INSTEK

This manual contains proprietary information, which is protected by copyright. All rights are reserved. No part of this manual may be photocopied, reproduced or translated to another language without prior written consent of Good Will company.

The information in this manual was correct at the time of printing. However, Good Will continues to improve products and reserves the rights to change specification, equipment, and maintenance procedures at any time without notice.

Good Will Instrument Co., Ltd.
No. 7-1, Jhongsing Rd., Tucheng Dist., New Taipei City 236, Taiwan

Table of Contents

OVERVIEW	2
PACKAGE CONTENTS	3
APPEARANCE	4
Front Panel	4
Rear Panel.....	6
Accessories	6
MAIN SCHEMATIC DIAGRAM	7
TEST EQUIPMENT SET-UP	8
Safety Cautions	8
Test Equipment Set-up Schematic Diagram	9
Set up	12
APPENDIX	14
GLN-5040A Specifications	14

OVERVIEW

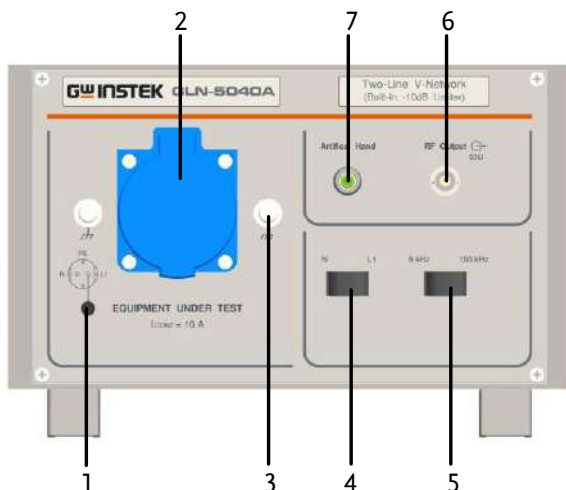
The GLN-5040A Two Line V-Network is used for EMI testing. It provides a stable impedance for the EUT terminals and the reference ground within the conducted emissions range. The GLN-5040A also isolates the unwanted network signals from the power supply unit and only couples the disturbance voltage of the measured device to the receiver. The product's performance is in compliance with the standard requirements of CISPR16-1-2 for V-networks with a simulated impedance of $50\mu\text{H} + 5\ \Omega$ || $50\ \Omega$ in the frequency range of 9kHz to 30MHz. It uses standard BNC output connector with $50\ \Omega$ output impedance to match any measurement devices such as receivers and spectrum analyzers. The product is equipped with an artificial hand function that simulates a handheld type measurement, a 9kHz and 150kHz high pass filter selection function that allows the product to select the correct filters according to the relevant standard. The GLN-5040A is also suitable for signal phase device conduction (disturbance voltage) measurement. Due to design principles, there may exist a great deal of leakage current. It is recommended that the unit is grounded when used, and if necessary, it should also be used with an isolation transformer. You may use the GIT-5060, which has an output capacity of 900VA, meeting the requirements of most test equipment.

P PACKAGE CONTENTS

Item	Quantity
Two line V-network main unit	1 Unit
German standard to GB socket	1 Pcs
BNC connecting wire	1 Pcs
Adaptor BNC-F to N type-M	1 Pcs
User instruction manual	1 Book
Warranty card	1 Sheet
Test report	1 Sheet

APEARANCE

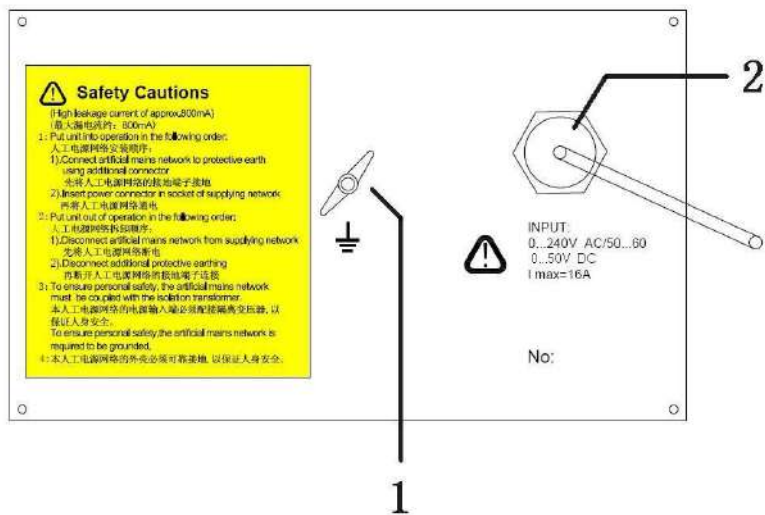
Front Panel



- | | | |
|---|---|--|
| 1 | L1 indicator light | When the correct power supply is connected, the blue indicator light turns on. |
| 2 | Equipment Under Test (EUT) power supply interface | German standard power supply connector, standard GB adapter is included in the product accessories. |
| 3 | Reference Ground Interface | 4mm Jack. The Reference ground is used to connect to the EUT earth terminal. If there is an independent earth terminal for the EUT that needs to be grounded, connect it to this terminal. |

4	N/L1	Selector switch for phase line under test.
5	9KHZ, 150 KHz high pass (HP) filter selection switch	You can select the correct filter for the desired product standard.
6	RF OUPUT connector	Standard BNC RF female plug which is used to connect to the receiver. It includes a built-in 10dB attenuator and pulse limiter.
7	ARTIFICIAL HAND	This function simulates the effect of a human hand touching metal on a handheld device. It made up of a 510 Ω and 220pF network. In practical applications, the 4mm jack terminal should be connected to the human-touched metal part of the handheld device.

Rear Panel



1 Ground terminal

The ground terminal is 4mm with a butterfly wing nut. This terminal is used for applying ground protection, not for applying a ground reference

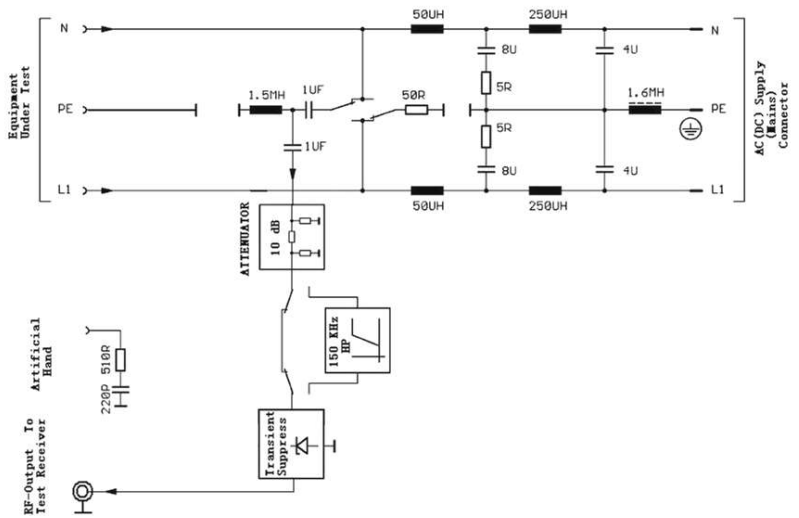
2 Power input socket

It is mainly used to supply power for the DUT.

Accessories



MAIN SCHEMATIC DIAGRAM



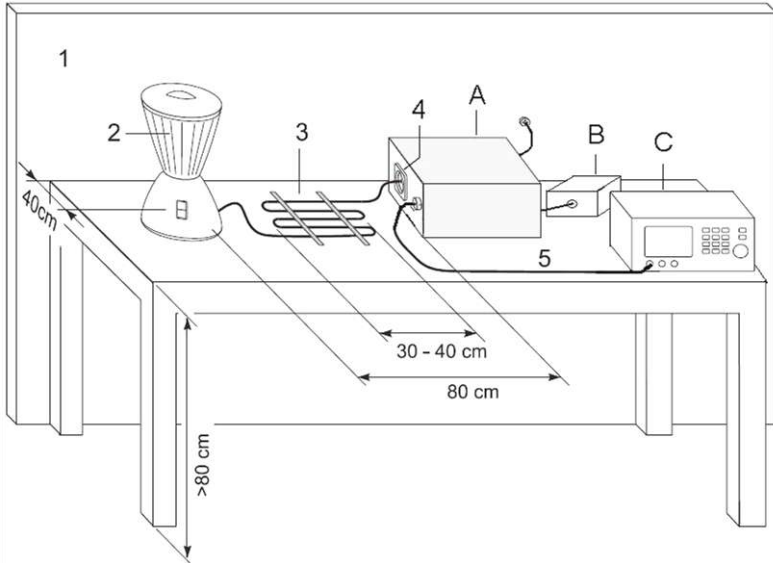
T EST EQUIPMENT SET-UP

Safety Cautions

1. Artificial mains network must use the isolation transformer to isolate to ensure personal safety.
2. The GLN-5040A must be grounded to ensure personal safety, especially when there is no isolation transformer connected. If the GLN-5040A is not grounded it may lead to serious electrical shock.

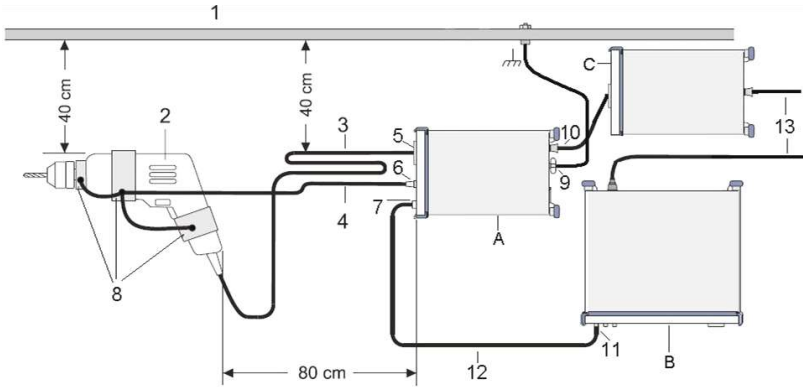
Test Equipment Set-up Schematic Diagram

Non-handheld Equipment Conduction Testing Diagram



Item	Description
1	Minimum 2m×2m metal board
2	(EUT) Equipment Under Test
3	Folding method for power supply wire length>1m
4	EUT power supply interface
5	Output shielded wire
A	Artificial Mains Network
B	Isolated Transformer
C	Receiver

Handheld Equipment Conduction Testing Schematic Diagram (the ETU handheld part has metal shell, it is required to use artificial hand)



Item	Description
1	Minimum 2mx2m metal board
2	(EUT) Equipment Under Test
3	Folding method for power supply wire length>1m
4	Artificial hand function connecting wires
5	ETU power supply interface
6	Artificial hand connecting terminals
7	Conducted interference signal output interface
8	Handheld metal parts, made up of several sections, connected by conducting wires
9	Grounding terminal
10	Artificial mains network power supply interface
11	Input interface
12	BNC Cable

- 13 Power Supply Cable
- A Artificial Mains Network
- B Receiver
- C Isolated Transformer

Set up

- Procedure
1. Ground the GLN-5040A with the testing receiver ground wire.
 2. Connect the isolated transformer and the GLN-5040A two line V-network.
 3. Connect to the EUT; please place the equipment with the reference to the above schematic diagram.
 4. Connect the GLN-5040A interference signal output terminal to the EMI receiver input terminal.
 5. Select the correct filter for the testing standard.
 6. Connect the GLN-5040A to the isolation transformer, which is connected to the power grid, and power on to test.
 7. Use the phase line switch on the GLN-5040A to select different phase lines during the test.
-

- Note
- When using the equipment, don't open the case, don't in a humid, explosive or inflammable environment. Please ensure the equipment surface is dry and clean before use.
 - The maximum voltage should be under 50V when using the AC power supply.
 - Please read the user manual carefully before use to become familiar with the safety the requirements and to test correctly.
 - It is recommended to use an isolation

transformer, in case of emergencies.

- Please contact us if any problems occur. In case of an accident, do not attempt to open the case for repair.

APPENDIX

GLN-5040A Specifications

Frequency range	9kHz-30MHz
Line impedance	(50uH+5Ω) 50Ω V type, Two-Line V-Network
Tested circuit phase number	Single phase
AC voltage range	0~240V AC+10%
AC frequency range	50~60Hz ±5%
DC voltage range	0~50V DC
Maximum permitted current(continuous)	Model 1: For Germany(Schuko connector) 16A
Country-specific connector models	Model 2: For United Kingdom 13A
Refer to figure 1 or models	Model 3: For France 16A
	Model 4: For China/Australia 10A
	Model 5 For USA 15A
High-pass filter (alternative)	150kHz
Voltage division factor between EUT and measuring receiver port	10dB
Response threshold of built-in pulse limiter	130dBuV
RF output	BNC(female)/50Ω
Artificial hand function	Embodied
EUT power supply interface	German standard power supply socket
Working temperature range	+5°C~+45°C
Storage temperature	-40°C~+70°C
Safety standard	Confirm to EN61010
EMC	Confirm to EN61326
Size	338mm(L)×237mm(W)×133mm(H)
Weight	4.2kg
BNC coaxial cable	2m

Certification	CE(EN61010-1:2010 EN61326-1:2013 EN61000-3-2:2014 EN61000-3-3:2013)
---------------	--

Model 1:		Germany as well as Austria, Finland, the Netherlands, Norway, Russia, Sweden, Korea, occasionally: Portugal, Spain
Model 2:		UK, Ireland, Hong Kong, Malaysia, Singapore
Model 3:		France, Belgium and Czech Republic
Model 4:		China, Australia, New Zealand
Model 5:		USA, Canada, Japan, Taiwan, Mexico, Central America

Figure 1 Country-specific connector models